

## Digital Undercounter Compact Refrigerated Counter - 250lt, 2 Doors no worktop (R290)

ITEM # \_\_\_\_\_

MODEL # \_\_\_\_\_

NAME # \_\_\_\_\_

SIS # \_\_\_\_\_

AIA # \_\_\_\_\_


**725114 (SAL25N20)**

 2-door compact  
Refrigerated Counter  
250lt, +2+10°C, AISI 304,  
without worktop

### Short Form Specification

#### Item No.

Constructed entirely in 304 AISI stainless steel. No worktop. High-density expanded polyurethane foam, 50 mm in thickness, with cyclopentane injection. Height-adjustable feet. Lower refrigerated compartment designed to accommodate GN 1/1 containers and equipped with N. 2 hinged doors. Built-in refrigeration unit. Ventilated. Refrigerant R290. Digital control panel. Automatic evaporation of defrost water. Drain outlet. Suitable to operate in ambient temperatures up to +43°C. Temperature range: +2+10°C. CFC and HCFC free.

### Main Features

- Adjustable temperature range from 2 °C to 10 °C to suit meat, fish and dairy storage requirements.
- Forced air circulation for rapid cooling and an even temperature distribution.
- Automatic evaporation of defrost water. Prearrangement for drain outlet.
- Connectivity ready for real time access to connected appliances from remote and data monitoring (requires optional accessory).
- Digital control panel.
- Anti-tilt runners accept GN 1/1 containers.
- A kit of wheels is available as optional accessory for easier movement.
- Tropicalized unit.

### Construction

- IPX3 protected.
- Access to all components from the front.
- Built-in compressor to suit operating conditions.
- Constructed from AISI 304 Stainless steel throughout to meet the highest hygiene standards.
- Developed and produced in ISO 9001 and ISO 14001 certified factory.
- Mounted on legs with height adjustment.
- Rounded internal corners for ease of cleaning.
- Adjustable feet 66-88 mm (see optional accessory).

### Sustainability



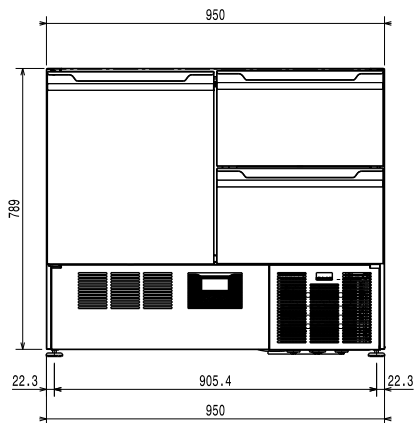
- CFC and HCFC free, highly ecological refrigerant type: R290 (ecological gas in foam: cyclopentane). Hydrocarbon refrigerant gas R290 for the lowest environmental impact (GWP=3), to reduce green house and ozone depletion effects.
- 50 mm insulation for energy saving.

### Optional Accessories

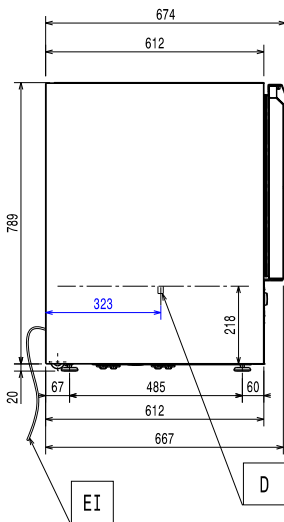
- Kit 4 wheels for 250lt refrigerated counter, saladette PNC 880267
- Feet to reach 900mm height for 250lt saladette PNC 881254
- 1/1GN grey rilsan grid PNC 881435

APPROVAL: \_\_\_\_\_

Front

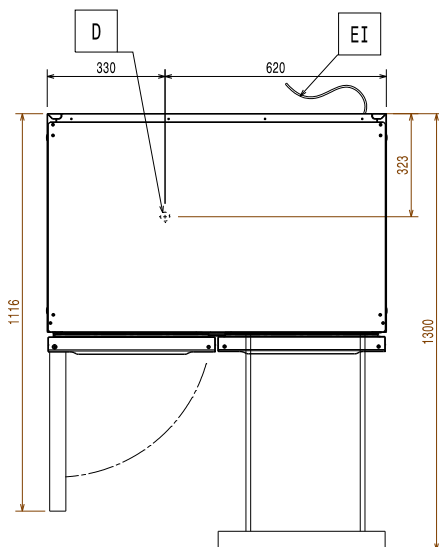


Side



EI = Electrical inlet (power)

Top



### Electric

**Supply voltage:**

725114 (SAL25N20)

220-240 V/1 ph/50 Hz

### Key Information:

<b>Gross capacity:</b>	250 lt
<b>Net Volume:</b>	140 lt
<b>Door hinges:</b>	1 Left+1 Right
<b>Built-in Compressor and Refrigeration Unit</b>	
<b>External dimensions, Width:</b>	950 mm
<b>External dimensions, Depth:</b>	700 mm
<b>External dimensions, Height:</b>	809 mm
<b>Depth with doors open:</b>	1120 mm

### Refrigeration Data

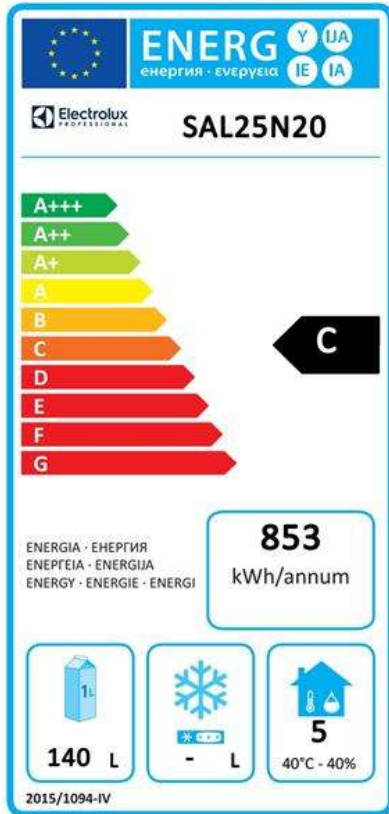
**Compressor power:** 1/4 hp

### ISO Certificates

**ISO Standards:** ISO 9001; ISO 14001; ISO 45001; ISO 50001

### Sustainability

<b>Energy Class (EU Reg. 2015/1094):</b>	C
<b>Yearly and daily energy consumption (EU Reg. 2015/1094):</b>	853kWh/year - 2kWh/24h
<b>Climate class (EU Reg. 2015/1094):</b>	Heavy Duty (5)
<b>Energy Efficiency Index-EEI (EU Reg. 2015/1094):</b>	39.51
<b>Refrigerant type:</b>	R290
<b>GWP Index:</b>	3
<b>Refrigeration power:</b>	314 W
<b>Refrigerant weight:</b>	50 g



**EU energy labelling from 1st July 2016**  
The European energy labelling scheme for professional refrigerators and freezers is based on requirements setting Minimum Energy Performance standards for commercial refrigeration cabinets sold within the EU.

These requirements are designed to drive energy efficiency and environmentally friendly approach for professionals. The European energy labelling scheme will apply to all manufacturers and importers who sell and market products within the EU and it is mandatory across Europe. Important: all products which consume energy above the minimum level will not be able to be sold within the EU from 1 July 2016.

SI 2020 No. 1528.

Important: all products which consume energy above the minimum level will not be able to be sold within the EU from 1 July 2016.

